

feather&black

Perfect Bedtimes

Noah Trundle Bed

IMPORTANT READ CAREFULLY RETAIN FOR FUTURE REFERENCE

Thank you for buying the Noah Trundle Bed

- Please take a few quiet minutes to read these instructions
- This product contains small parts, keep small children clear of the assembly area

PRODUCT SAFETY

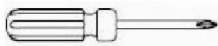
- All assembly fastenings should always be tightened properly and care should be taken that no fittings are loose
- Periodically check and ensure that all components are in their proper position, free from damage, and that all connectors are tight

PRODUCT CARE

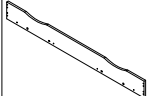

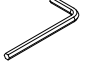







- Wipe clean using a soft damp cloth followed by dry cloth
- Do not use abrasives or cleaning products which may contain ammonia or solvents
- Take care when handling or moving the furniture. Careless handling can damage wooden furniture, try to lift rather than drag

TOOLS REQUIRED

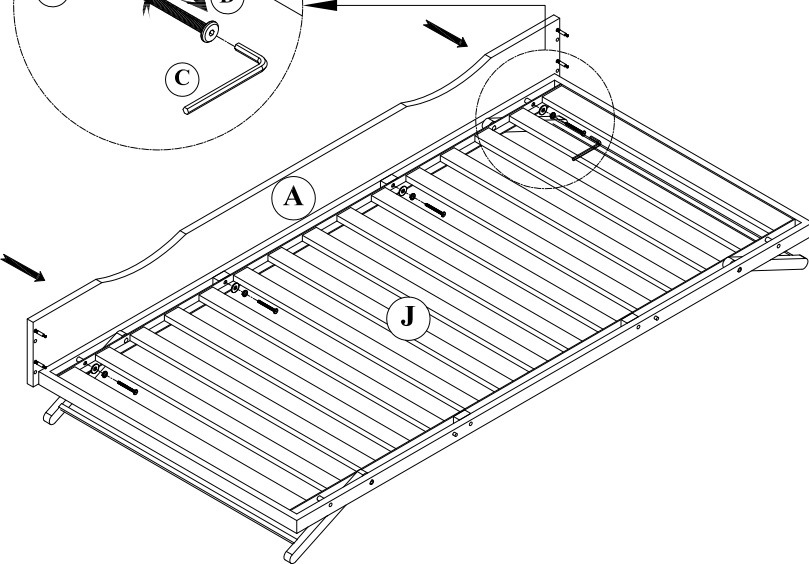
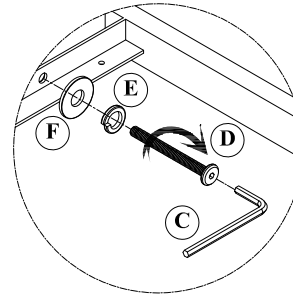
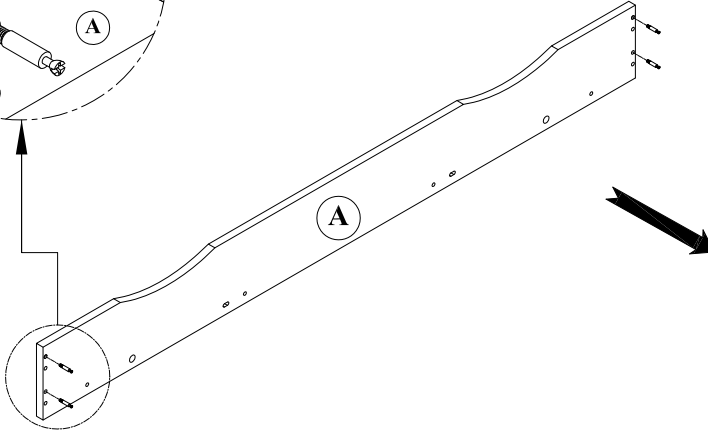
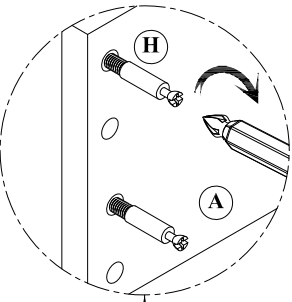
- Please use Philips Head Screwdriver (not included) and Allen key part C (included) to assemble the Noah Trundle Bed



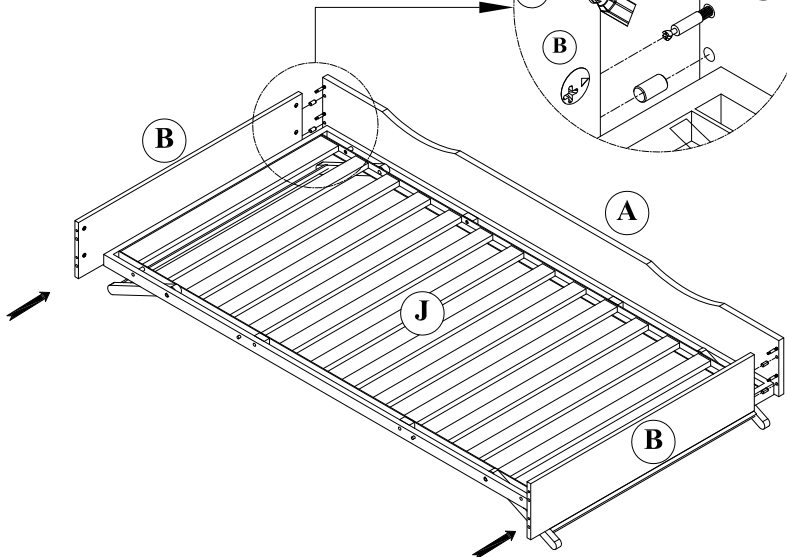
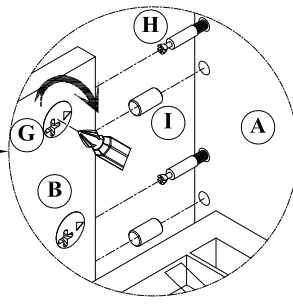
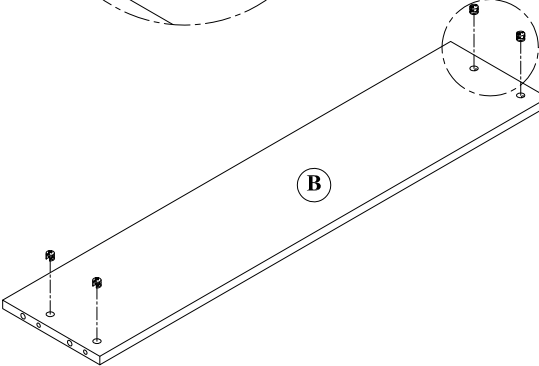
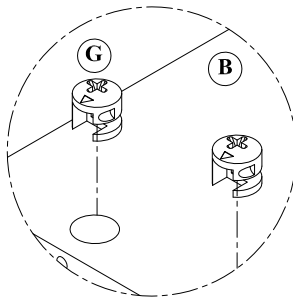
ASSEMBLY INSTRUCTIONS

	PARTS	QTY
A		2PCS
B		2PCS
C	 Ø 4	1PC
D	 Ø 6 x 60	8PCS
E	 Ø 6	8PCS
F	 Ø 6 / Ø 16	8PCS
G		8PCS
H		8PCS
I	 Ø 8 x 30	8PCS
J		1PC

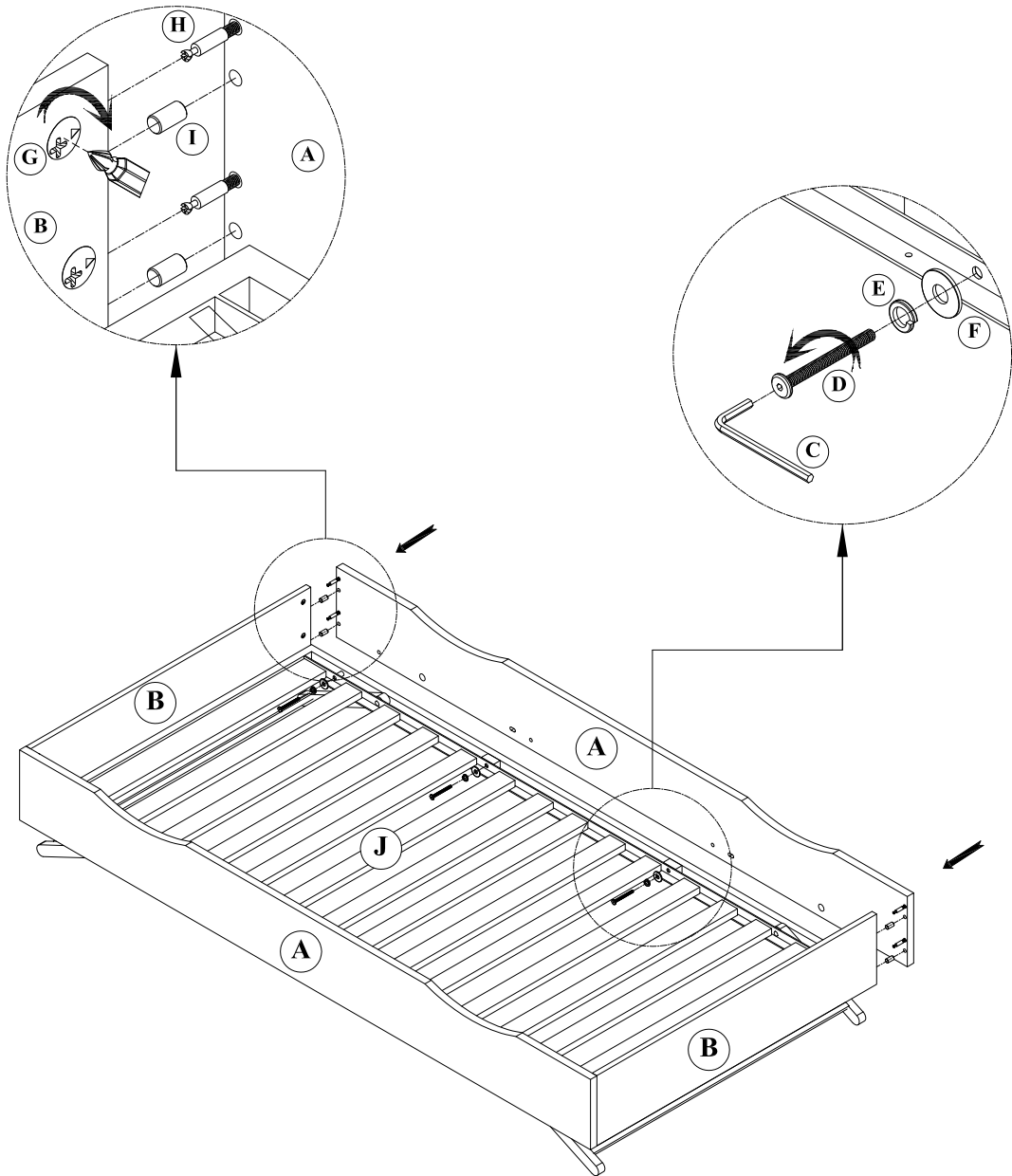
1



2



3



4

